

Item Number
RAM-VBD-128

RAM Drill Seat Bases

National Products, Inc.

Vehicle base for the Universal Mount for All Vehicles

SPECIFICATIONS

Placement

Flat surface/floor

Drilling Required

Yes

Seat Configuration

Bucket/Bench

Pole or Pedestal

Included

Construction/Finish

Steel/Black Powdercoat

Weight

3.6 lbs.

Dimensions

A = 8", B = 8", C = 13"

Features

Universal base for any vehicle with a vertical flat mounting surface

Misc.

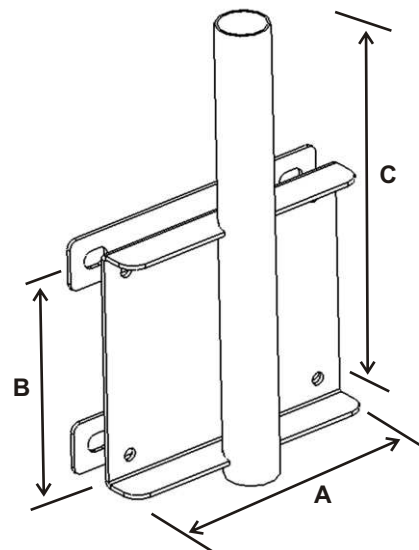
Rugged Steel Construction

Lifetime warranty

National Products, Inc.
Phone: 206-763-8361
Fax: 206-763-9615
Address: 1205 S Orr St
Seattle, WA 98108
Website: www.ram-mount.com
Email: staff@ram-mount.com



Shown In Use



RAM-VBD-128



Item Number
RAM-VBD-128

RAM Drill Seat Bases
National Products, Inc.

Vehicle base for the Universal Mount for All Vehicles

INSTALLATION INSTRUCTIONS

1. Place base on vertical flat surface so that the pedestal is in the optimum location.
2. Mark the mounting hole locations. Please note that it might be necessary to shim a corner of the mounting base if the mounting surface is uneven.
3. Drill 17/32" holes in surface at all of the marked locations. Be extremely careful not to damage any equipment behind mounting surface when drilling.
4. Tighten base in place using bolts, washers, and nuts. If floor is less than 1/4" thick, please use fender washers on the back of mounting surface to help distribute the weight.

National Products, Inc.
Phone: 206-763-8361
Fax: 206-763-9615
Address: 1205 S Orr St
Seattle, WA 98108
Website: www.ram-mount.com
Email: staff@ram-mount.com

