

Item Number
RAM-VB-112

RAM No-Drill™ Seat Bases

National Products, Inc.

Vehicle base for the
Ford Explorer (2002-Newer)
Mercury Mountaineer (2002-Newer)

SPECIFICATIONS

Placement

Passenger side on the floor, in front of seat

Drilling Required

No - uses existing seat bolts

Seat Configuration

Bucket

Pole or Pedestal

Purchased Separately

Construction/Finish

Steel/Black Powdercoat

Weight

8.1 lbs.

Dimensions

A = 13", B = 3.63", C = 8.25", D = 17"

Hole Center = 11.25"

Features

Installs in minutes with no drilling required
Step feature allows optimized placement of mount with a minimal amount of intrusion of passenger leg space

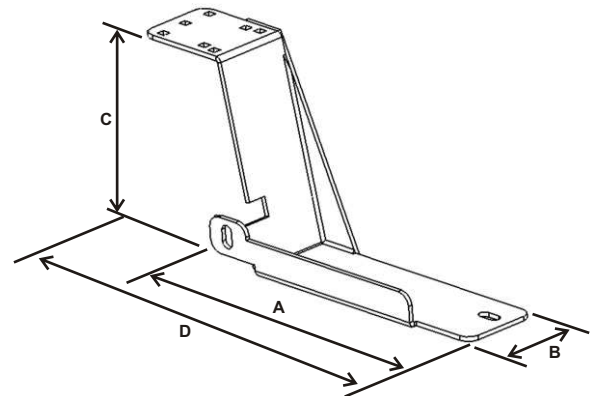
Misc.

Rock solid construction
Lifetime warranty

National Products, Inc.
Phone: 206-763-8361
Fax: 206-763-9615
Address: 1205 S Orr St
Seattle, WA 98108
Website: www.ram-mount.com
Email: staff@ram-mount.com



RAM-VB-112



Shown In Use



Item Number
RAM-VB-112

RAM No-Drill™ Seat Bases
National Products, Inc.

Vehicle base for the
Ford Explorer (2002-Newer)
Mercury Mountaineer (2002-Newer)

INSTALLATION INSTRUCTIONS

1. Move the passenger seat to its rearmost position.
2. Remove the front seat rail bolts.
3. Without moving the seat, place No-Drill™ base over the front of the seat brackets.
4. Re-install seat bolts.

National Products, Inc.
Phone: 206-763-8361
Fax: 206-763-9615
Address: 1205 S Orr St
Seattle, WA 98108
Website: www.ram-mount.com
Email: staff@ram-mount.com

