

Item Number
RAM-VB-154

RAM No-Drill™ Seat Bases

National Products, Inc.

Vehicle base for the
NISSAN PATHFINDER (2005-NEWER)
NISSAN XTERRA (2005-2006)
NISSAN FRONTIER 4X4 ONLY (2005-NEWER)

SPECIFICATIONS

Placement

Passenger side, front, where seat rail frame attaches to floor board.

Drilling Required

No - uses existing seat bolts

Seat Configuration

Bucket

Construction/Finish

Steel/Black Powdercoat

Pole or Pedestal

Sold Separately

Weight

2.8 lbs.

Dimensions

A = 20.25", B = 7.25", C = 3.5"
Hole Center = 17.25"

Features

Installs in minutes with no drilling required
Low profile keeps mount away from passenger leg space

Misc.

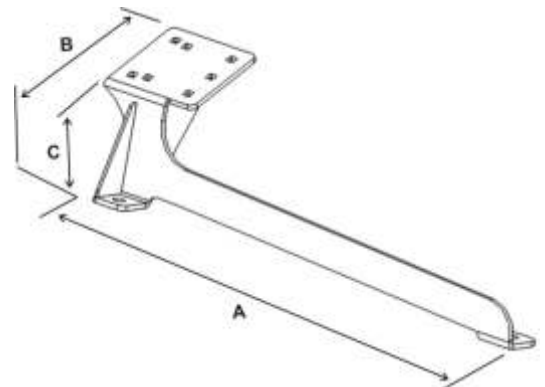
Rock solid construction

Lifetime warranty

National Products, Inc.
Phone: 206-763-8361
Fax: 206-763-9615
Address: 1205 S Orr St
Seattle, WA 98108
Website: www.ram-mount.com
Email: staff@ram-mount.com



Shown In Use



RAM-VB-154



Item Number
RAM-VB-154

RAM No-Drill™ Seat Bases
National Products, Inc.

Vehicle base for the
NISSAN PATHFINDER (2005-NEWER)
NISSAN XTERRA (2005-2006)
NISSAN FRONTIER 4X4 ONLY (2005-NEWER)

INSTALLATION INSTRUCTIONS

1. Move the passenger seat back to its rearmost position and remove the front seat rail bolts.
2. Without moving the seat, place the No-Drill™ base over the front of the seat frame
3. Align the holes in the metal base with those in the seat frame and floor board.

National Products, Inc.
Phone: 206-763-8361
Fax: 206-763-9615
Address: 1205 S Orr St
Seattle, WA 98108
Website: www.ram-mount.com
Email: staff@ram-mount.com

